

GardenPro®

**Original
Instructions**

SNOW THROWER



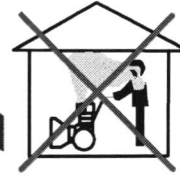
Hazard Symbols and Meanings



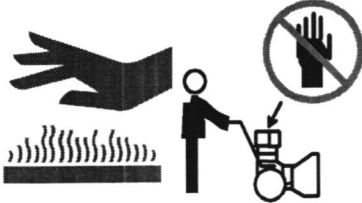
Rotating Impeller



Rotating Parts



Toxic Fumes



hot surface



Fire



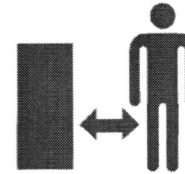
fuel shutoff



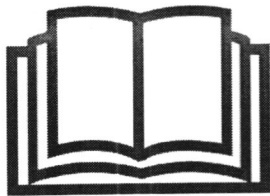
Rotating Auger



Thrown Objects



Safe Distance



Read the operator's manual for operating and safety instructions



Shut off engine and remove key before performing maintenance or repair work



WARNING: Hot Surface, Do not touch!



Wear eye protection



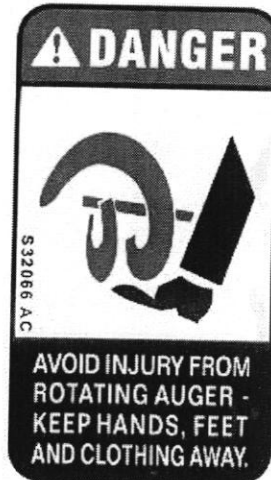
Wear ear protection



Wear gloves



Warning Description



Auger Danger Decal



Chute Danger Decal

SAFE OPERATION PRACTICES



DANGER: This machine was built to be operated according to the rules for safe operation in this manual. As with any type of power equipment, carelessness or error on part of the operator can result in serious injury. This machine is capable of amputating hands and feet and throwing objects. Failure to observe the following safety instructions could result in serious injury or death.



WARNING: Engine Exhaust, some of its constituents, and certain vehicle components contain or emit chemicals known to State of California to cause cancer and birth defects or other reproductive harm.



WARNING: This symbol points out important safety instructions which, if not followed, could endanger the personal safety and/or property of yourself and others. Read and follow all instructions in this manual before attempting to operate this machine. Failure to comply with these instructions may result in personal injury. When you see this symbol. **HEED ITS WARNING!**

Your Responsibility: Restrict the use of this power machine to persons who read, understand and follow the warnings and instructions in this manual and on the machine.

IMPORTANT

Safe Operation Practices for Walk-Behind Snow Throwers

This snow thrower is capable of amputating hands and feet and throwing objects. Failure to observe the following safety instructions could result in serious injury.

Training

1. Read, understand, and follow all instructions on the machine and in the manual(s) before attempting to assemble and operate this unit. Keep this manual in a safe place for future and regular reference and for ordering replacement parts.
2. Be familiar with all controls and their proper operation. Know how to stop the machine and disengage them quickly.
3. Never allow children under 14 years old to operate this machine. Children 14 years old and over should read and understand the operation instruction and safety rules in this manual and should be trained and supervised by parent.
4. Never allow adults to operate this machine without proper instruction.
5. Thrown objects can cause serious personal injury. Plan your snow-throwing pattern to avoid discharge of material toward roads, bystanders and the like.

SAFE OPERATION PRACTICE

6. Keep bystanders, helpers, pets and children at least 75 feet from the machine while it is in operation. Stop machine if anyone enters the area.
7. Exercise caution to avoid slipping or falling, especially when operating in reverse.

Preparation

1. Thoroughly inspect the area where the equipment is to be used. Remove all doormats, sleds, boards, wires and other foreign objects, which could be tripped over or thrown by the auger/impeller.
2. Always wear safety glasses or eye shields during operation and while performing an adjustment or repair to protect your eyes. Thrown objects which ricochet can cause serious injury to the eyes.
3. Do not operate the equipment without wearing adequate winter garments. Avoid loose fitting clothing that can get caught in moving parts. Do not wear jewelry, long scarves or other loose clothing, which could become entangled in moving parts. Wear footwear which will improve footing on slippery surfaces.
4. Adjust collector housing height to clear gravel or crushed rock surfaces.
5. Disengage all clutches and shift into neutral before starting the engine.
6. Never attempt to make any adjustments while engine is running, except where specifically recommended in the operator's manual.
7. Let engine and machine adjust to outdoor temperature before starting to clear snow.
8. To avoid personal injury or property damage use extreme care in handling gasoline. Gasoline is extremely flammable and the vapors are explosive. Serious personal injury can occur when gasoline is spilled on yourself or your clothes, which can ignite. Wash your skin and change clothes immediately.
 - a. Use only an approved gasoline container.
 - b. Extinguish all cigarettes, cigars, pipes and other sources of ignition.
 - c. Fill fuel tank outdoors with extreme care. Never fill fuel tank indoors.
 - d. Never remove gas cap or add fuel while the engine is hot or running.
 - e. Allow engine to cool at least two minutes before refueling.
 - f. Never over fill fuel tank. Fill tank to no more than 1/2 inch below bottom of filler neck to provide space for fuel expansion.
 - g. Never fill containers inside a vehicle or on a truck or trailer bed with a plastic liner. Always place containers on the ground, away from your vehicle, before filling.
 - h. When practical, remove gas-powered equipment from the truck or trailer and refuel it on the ground. If this is not possible, then refuel such equipment on a trailer with a portable container, rather than from a gasoline dispenser nozzle.
 - i. Keep the nozzle in contact with the rim of the fuel tank or container opening at all times, until refueling is complete. Do not use a nozzle lock-open device.
 - j. Replace gasoline cap and tighten securely.
 - k. If gasoline is spilled, wipe it off the engine and equipment. Move machine to another area. Wait 5 minutes before starting the engine.

SAFE OPERATION PRACTICES

- l. Never store the machine or fuel container inside where there is an open flame, spark or pilot light(e.g. furnace, water heater, space heater, clothes dryer etc.)
- m. Allow machine to cool at least 5 minutes before storing.
- n. If fuel is spilled on clothing, change clothing immediately.

Operation

1. Do not put hands or feet near rotating parts, in the auger/impeller housing or chute assembly. Contact with the rotating parts can amputate hands and feet. Keep clear of the discharge opening at all times.
2. After striking a foreign object, stop the engine (motor), remove the wire from the spark plug, disconnect the cord on electric motors, thoroughly inspect the snow thrower for any damage, and repair the damage before restarting and operating the snow thrower.
3. Stop the engine (motor) whenever you leave the operating position, before unclogging the collector/impeller housing or discharge chute, and when making any repairs, adjustments or inspections.
4. When cleaning, repairing or inspecting the snow thrower, stop the engine and make certain the collector/impeller and all moving parts have stopped. Disconnect the spark plug wire and keep the wire away from the plug to prevent someone from accidentally starting the engine
5. The auger/impeller control lever is a safety device. Never bypass its operation. Doing so makes the machine unsafe and may cause personal injury.
6. The control levers must operate easily in both directions and automatically return to the disengaged position when released.
7. Never operate the snow thrower without proper guards, and other safety protective devices in place and working.
8. Never run an engine indoors or in a poorly ventilated area. Engine exhaust contains carbon monoxide, an odorless and deadly gas.
9. Do not operate machine while under the influence of alcohol or drugs.
10. Exercise extreme caution when operating on or crossing gravel surfaces. Stay alert for hidden hazards or traffic.
11. Do not clear snow across the face of slops. Exercise caution when changing direction and while operating on slopes. Do not attempt to clear steep slops.
12. Plan your snow-throwing pattern to avoid discharge towards windows, walls, cars etc. Thus, avoiding possible property damage or personal injury caused by a ricochet.
13. Never direct the discharge toward people or areas where property damage can occur. Keep children and others away.
14. Do not overload machine capacity by attempting to clear snow at too fast of a rate.
15. Never operate this machine without good visibility or light. Always be sure of your footing and keep a firm hold on the handles. Walk, never run.
16. Disengage power to the auger/impeller when transporting or not in use.
17. Never operate machine at high transport speeds on slippery surfaces. Look down and behind and use care when backing up. Use care when reversing

18. If the machines should start to vibrate abnormally, stop the engine, disconnect the spark plug wire and ground it against the engine. Inspect thoroughly for damage. Repair any damage before starting and operating.
19. Disengage all control levers and stop engine before you leave the operating position (behind the handles). Wait until the auger/impeller comes to a complete stop before unclogging the chute assembly, making any adjustments, or inspections.
20. Never put your hand in the discharge or collector openings. Always use the clean-out tool provided to unclog the discharge opening. Do not unclog chute assembly while engine is running. Shut off engine and remain behind handles until all moving parts have stopped before unclogging.
21. Use only attachments and accessories approved by the manufacturer (e.g. wheel weights, tire chins, cabs etc.).
22. Never touch a hot engine or muffler
23. If situations occur which are not covered in this manual, use care and good judgment. Contact your Sears Service Center for assistance.

Clearing a Clogged Discharge Chute

Hand contact with the rotating impeller inside the discharge chute is the most common cause of injury associated with snow throwers. Never use your hand to clean out the discharge chute.

To clear the chute:

1. SHUT THE ENGINE OFF!
2. Wait 10 seconds to be sure the impeller blades have stopped rotating.
3. Always use a clean-out tool, not your hands

Maintenance & Storage

1. Never tamper with safety devices. Check their proper operation regularly. Refer to the maintenance and adjustment sections of this manual.
2. Before cleaning, repairing, or inspecting machine disengage all control levers and stop the engine. Wait until the auger/impeller come to a complete stop. Disconnect the spark plug wire and ground against the engine to prevent unintended starting.
3. Check bolts and screws for proper tightness at frequent intervals to keep the machine in safe working condition. Also, visually inspect machine for any damage.
4. Do not change the engine governor setting or over-speed the engine.
5. Snow thrower shave plates and skid shoes are subject to wear and damage. For your safety protection, frequently check all components and replace with original equipment manufacturer's (OEM) parts only. "Use of parts which do not meet the original equipment specifications may lead to improper performance and compromise safety!"
6. Check controls periodically to verify they engage section in this operator's manual for instructions.
7. Maintain or replace safety and instruction labels, as necessary.
8. Never store the machine with fuel in the fuel tank inside a building where ignition sources are present such as hot water heaters, space heaters, or clothes dryers. Allow the engine to cool before storing in any enclosure.
9. Observe proper disposal laws and regulations for gas, oil, etc. to protect the environment.
10. Prior to storing, run machine a few minutes to clear snow from machine and prevent freeze

up of auger/impeller.

11. Never store the machine or fuel container inside where there is an open flame, spark or pilot light such as a water heater, furnace, clothes dryer etc.
12. Always refer to the operator's manual for proper instructions on off-season storage.
- 13: If you need to change the belts, please contact the distributor or local agent. Do not change them by yourself

Do not modify engine

To avoid serious injury or death, do not modify engine in any way. Tampering with the governor setting can lead to a runaway engine and cause it to operate at unsafe speeds. Never tamper with factory setting of engine governor.



Residual risks

Even when the machine is used as prescribed it is not possible to eliminate all residual risk factors. The following hazards may arise in connection with the power tool's construction and design:

1. Damage to lungs if an effective dust mask is not worn.
2. Damage to hearing if effective hearing protection is not worn.
3. Damages to health resulting from vibration emission if the power tool is being used over longer period of time or not adequately managed and properly maintained.

WARNING! This machine produces an electromagnetic field during operation. This field may under some circumstances interfere with active or passive medical implants. To reduce the risk of serious or fatal injury, we recommend persons with medical implants to consult their physician and the medical implant manufacturer before operating this machine.

The declared vibration total value has been measured in accordance with a standard test method and may be used for comparing one tool with another.

The declared vibration total value may also be used in a preliminary assessment of exposure.

Warning

The vibration emission during actual use of the power tool can differ from the declared total value depending on the ways in which the tool is used.

There is the need to identify safety measures to protect the operator that are based on an estimation of exposure in the actual conditions of use (taking account of all parts of the operating cycle such as the times when the tool is switched off and when it is running idle in addition to the trigger time).

Noise (tested according to 2000/14/EC, amended by 2005/88/EC):

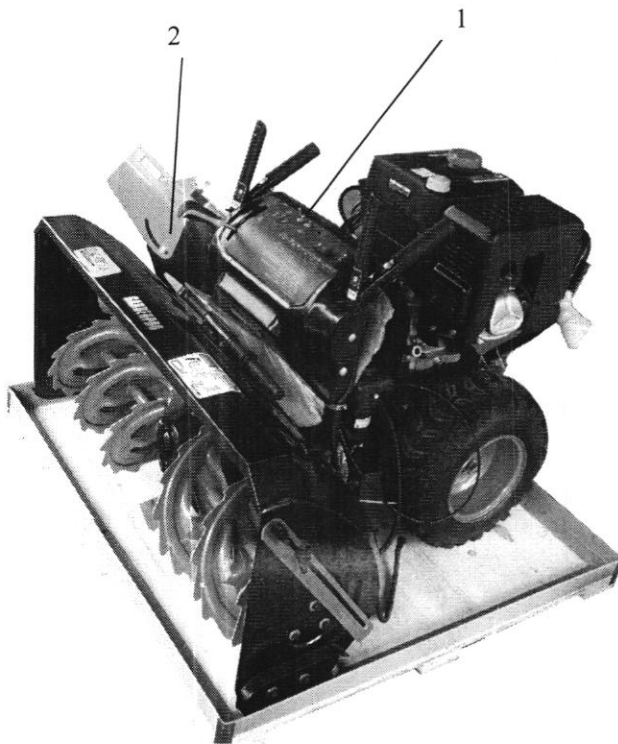
Guaranteed Sound power values L_{wA}: 106 dB(A), L_{pA}= 91.8 dB(A), K= 3 dB(A)

Vibration (tested according to ISO 8437: 1989+A1)

a_h= 4.559 m/s² K= 1.5 m/s

Package Contents

1. Armrest
2. Chute (attached with the instructions and fittings)

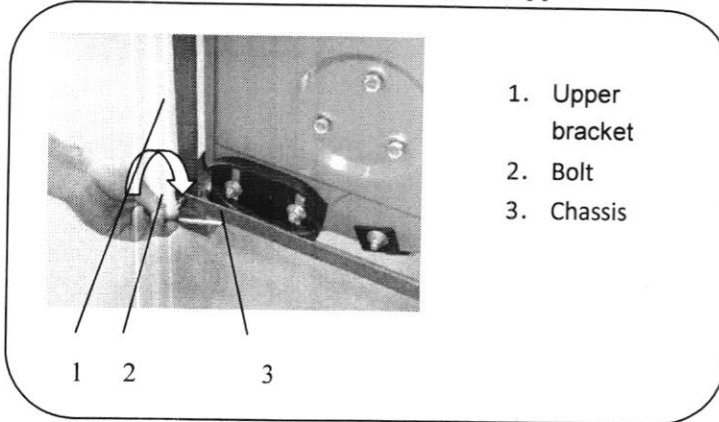


KC1542GS
KC1542MS
KC1334GS
KC1334MS
KC1130GS
KC1130MS
KC930GS
KC930MS
KC726MS
KC626MS

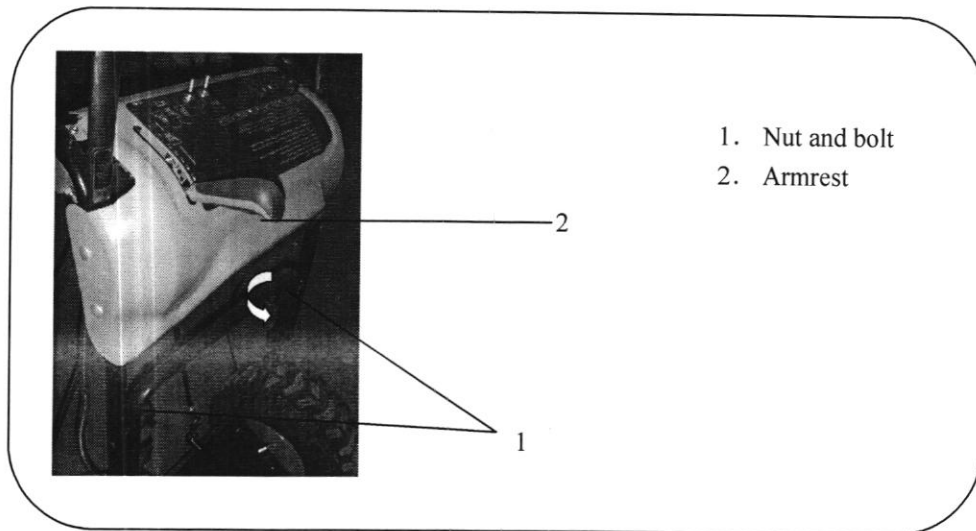
KC1534GT
KC1534MT
KC1334GT
KC1334MT
KC1130MT
KC1130GT
KC930MT
KC930GT

Assembly:

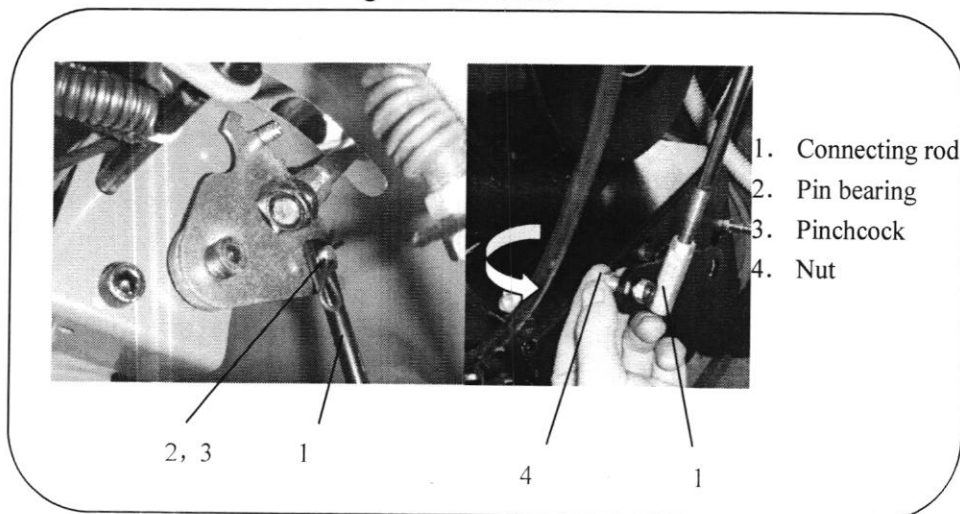
1 Unscrew the bolt and carry away the upper bracket.



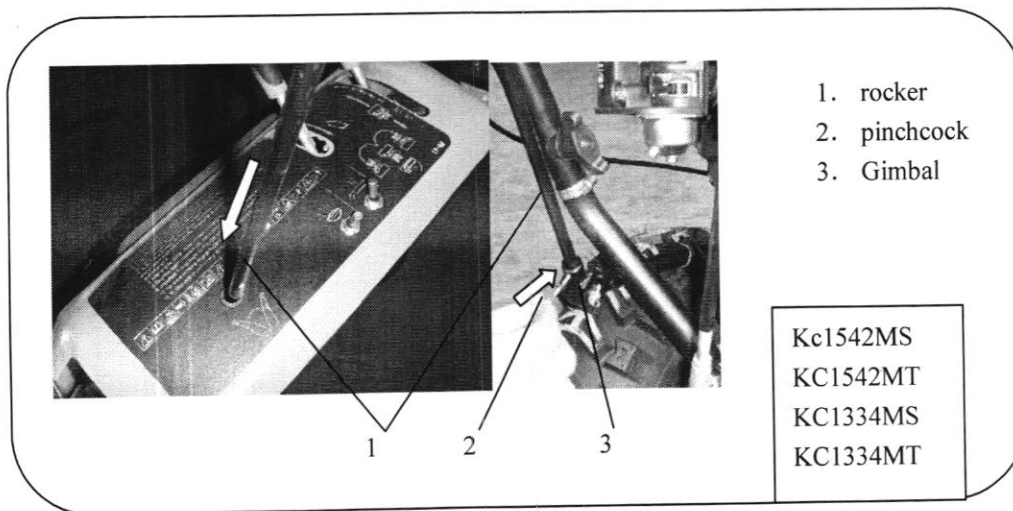
2 Mount the armrest: first unscrew the nut, put in order four bores on the upper armrest, plug in the bolt and screw it with a nut.



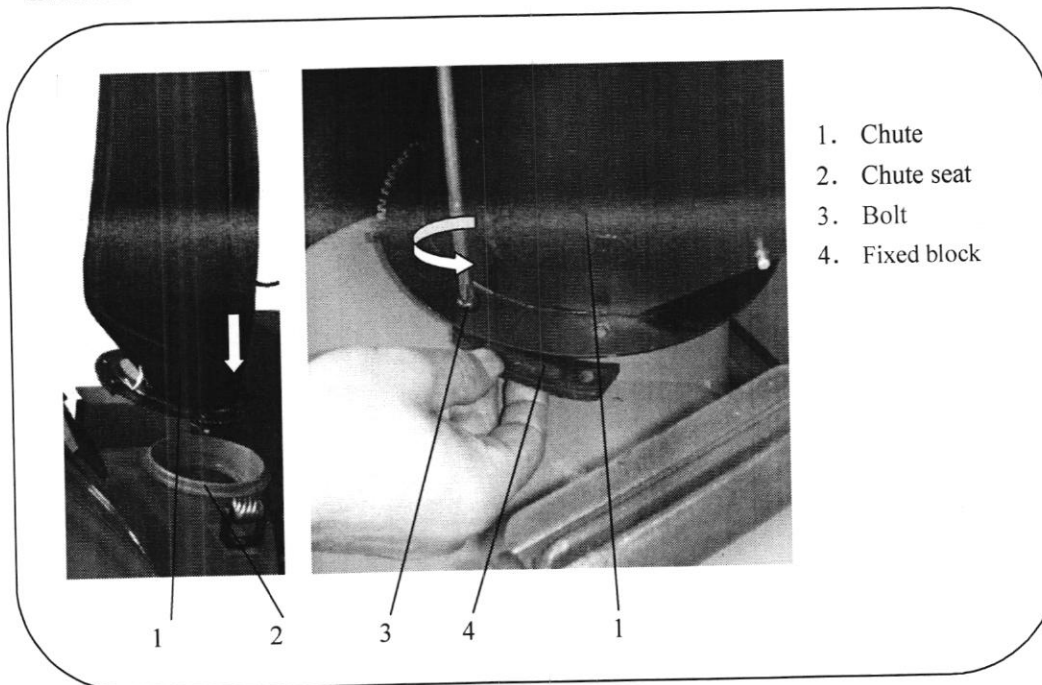
3 Mount the connecting rod: pull out pinchcock and pin bearing, drill through a bore on the connecting rod with a pin bearing, plug and fix the pinchcock in the pin bearing, and screw the other side on the connecting rod with a nut.



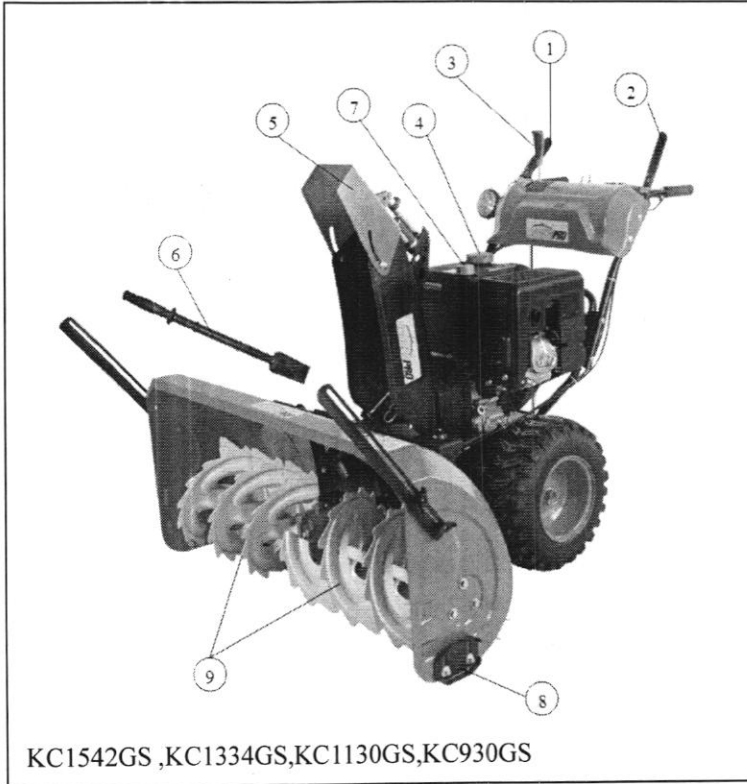
4 Mount the rocker: plug the rocker in the side of gimbal from the armrest panel so that the rocker bore aims at the bore on the gimbal, and then plug the pinchcock in.



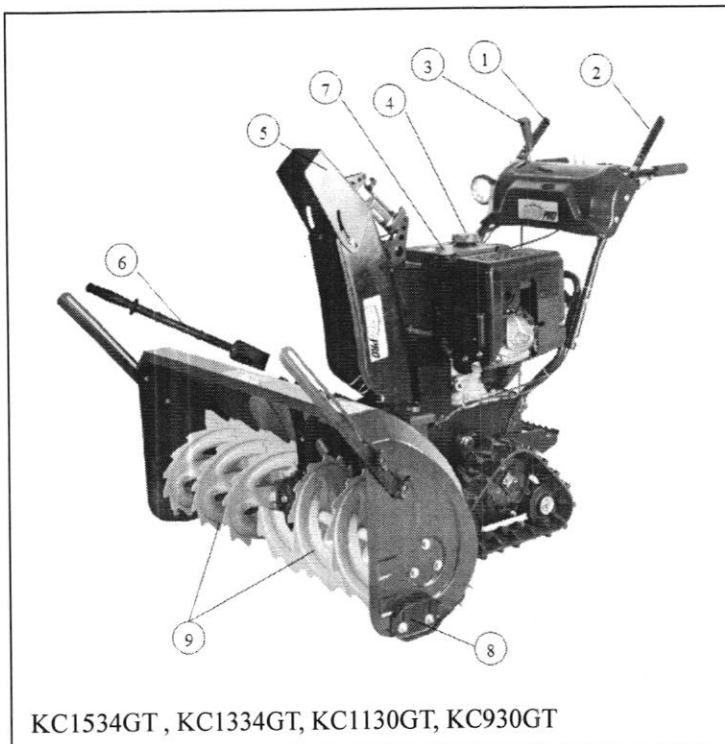
5 Mount the chute: first unscrew the chute on the bolt, place it on the chute seat, put down a fixed block to aim with a bore, and screw the fixed block with a bolt.



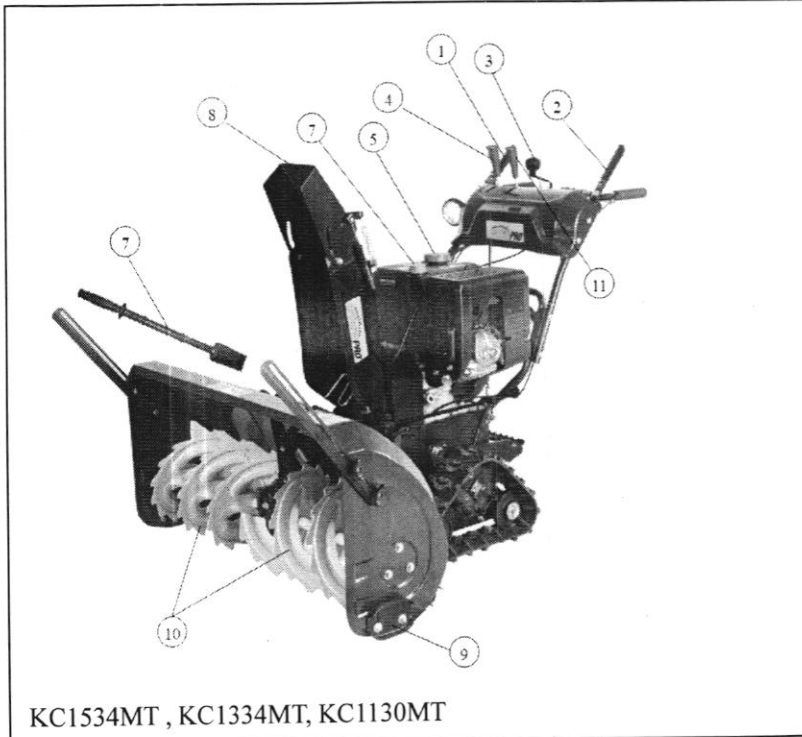
Controls and Features



- 1: Drive Control
- 2: Auger Control
- 3: Speed Control
- 4: Gas Cap
- 5: Chute Assembly
- 6: Clean-out Tool
- 7: Oil fill cap
- 8: Skid Shoes
- 9: Auger

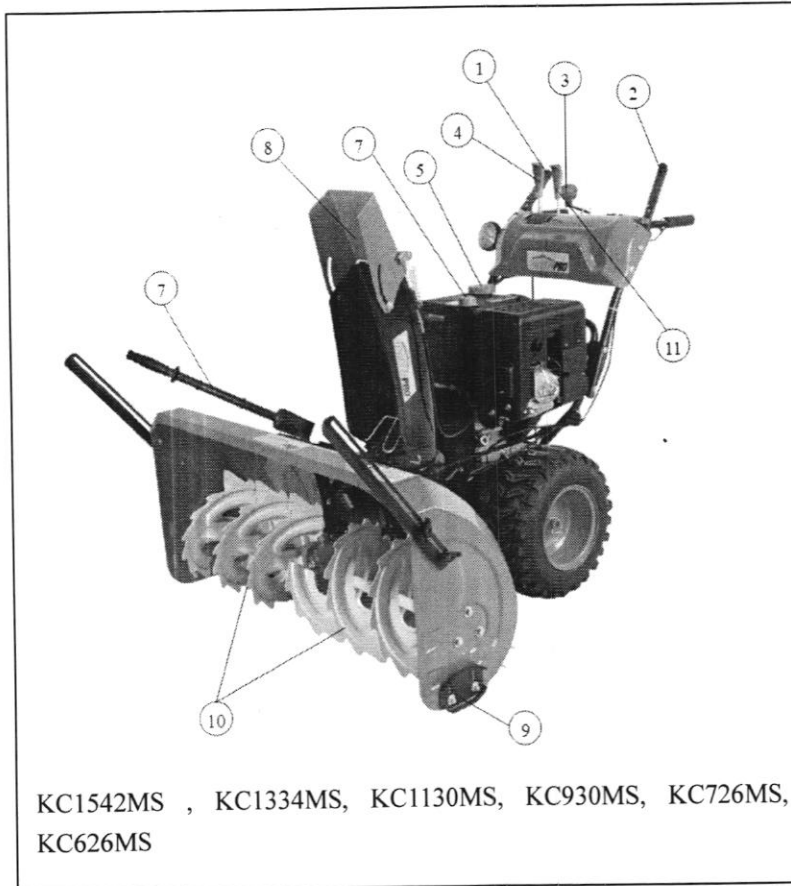


- 1: Drive Control
- 2: Auger Control
- 3: Speed Control
- 4: Gas Cap
- 5: Chute Assembly
- 6: Clean-out Tool
- 7: Oil fill cap
- 8: Skid Shoes
- 9: Auger



KC1534MT , KC1334MT, KC1130MT

- 1:Drive Control
- 2:Auger Control
- 3:Chute direction control
- 4:Speed Control
- 5:Gas Cap
- 6:Chute Assembly
- 7:Clean-out Tool
- 8:Dipstick
- 9:Skid Shoes
- 10:Auger
- 11:Chute Control



KC1542MS , KC1334MS, KC1130MS, KC930MS, KC726MS, KC626MS

- 1:Drive Control
- 2:Auger Control
- 3:Chute direction control
- 4:Speed Control
- 5:Gas Cap
- 6:Chute Assembly
- 7:Clean-out Tool
- 8:Dipstick
- 9:Skid Shoes
- 10:Auger
- 11:Chute Control

Operating Controls

(See Figure 1)



WARNING: Read, understand, and follow all instructions and warnings on the machine and in this manual before operating.

Shift Lever



Figure1

The shift lever is located between the lower handles. Place the shift lever into any of seven positions to control the direction of travel and ground speed.

Forward

There are five forward (F) speeds. Position one (1) is the slowest and position five (5) is the fastest.

Reverse

There are two reverse (R) speeds. One (1) is the slower and two (2) is the faster.

Primer

Depressing the primer forces fuel directly into the engine's carburetor to aid in cold-weather starting.

Choke Control



Figure2

The choke control is found on the rear of the engine and is activated by rotating the knob clockwise. Activating the choke control closes the choke plate on the carburetor and aids in starting the engine. See figure 2

Throttle Control

The throttle control is located on the engine. It regulates the speed of the engine and will shut off the engine when pushed down completely. See figure 3

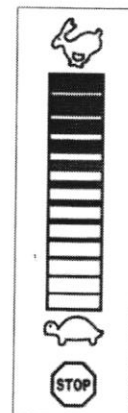


Figure3

OPERATING YOUR SNOW THROWER

Auger Control

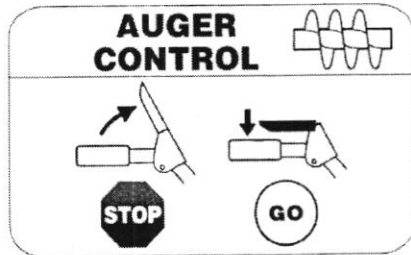


Figure4

The auger control is located on the left handle. Squeeze the control grip against the handle to engage the augers and start snow throwing action. Release to stop. See figure 4

Drive Control

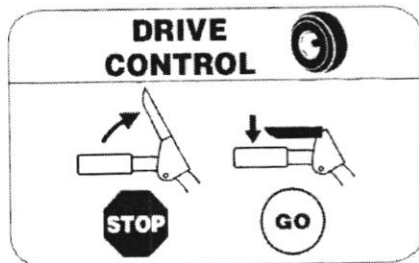


Figure5

The drive control is located on the right handle. Squeeze the control grip against the handle to engage the wheel drive. Release to stop.see figure 5

Chute Directional Control

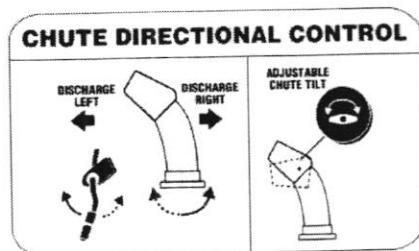


Figure6

The chute directional control is located on the panel of the snow thrower.

To change the direction in which snow is thrown, turn chute directional control as follows:

Crank clockwise to discharge to the right.

Crank counterclockwise to discharge to the left.see figure 6

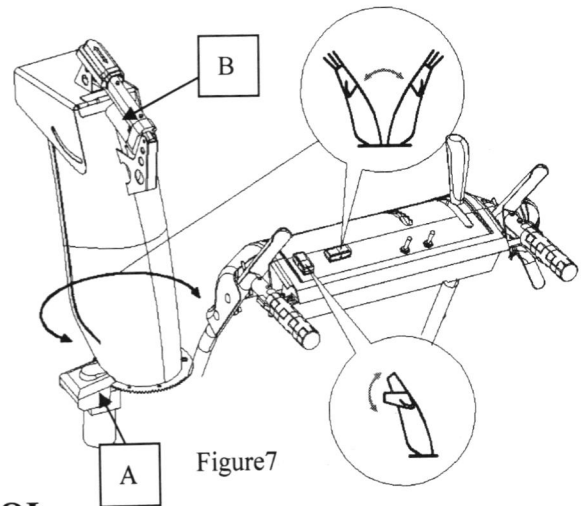
Discharge Chute Rotation(Left/Right)

- 1.Press the chute rotation switch to the UP position and hold to rotate the chute to the left(A,Figure7)
- 2.Press the switch to the DOWN position and hold to rotatethe chute to the right.

3. After the desired position is obtained, release the switch to the CENTER position to turn off.

Chute Deflector (Up/Down)

1. Press the chute deflector switch to the UP position and hold to provide a higher stream and greater distance (B, Figure 7)
2. Press the switch to the DOWN position and hold to provide a lower stream and less distance.
3. After the desired position is obtained, release the switch to the CENTER position to turn off.



DIFFERENTIAL TRACTION CONTROL

For easy turning when using the snow thrower, handle the Differential Lever (see Figure 8). Engaging the Differential lever releases the right traction wheel, but allows the left right wheel to continue driving. Releasing the Differential lever automatically engages both drive wheels for full traction (see Figure 9).

KC1542GS
KC1542GT
KC1334GS
KC1334GT

NOTE: The Differential will be more difficult to activate under a heavy load. Activate the lever before beginning a turn.

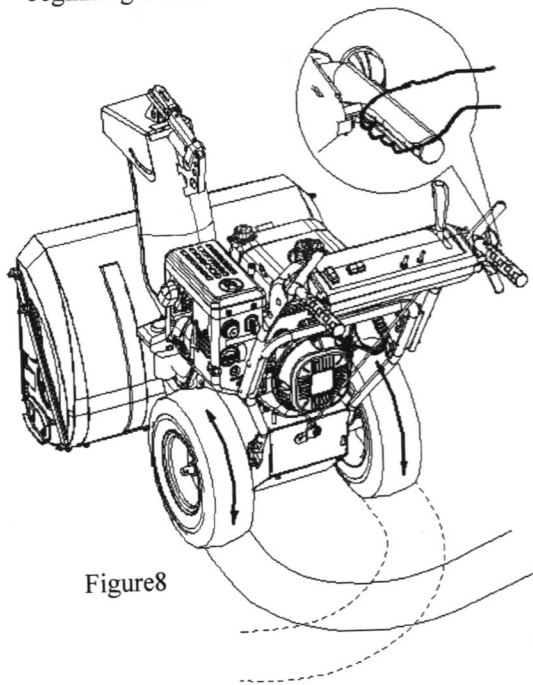


Figure 8

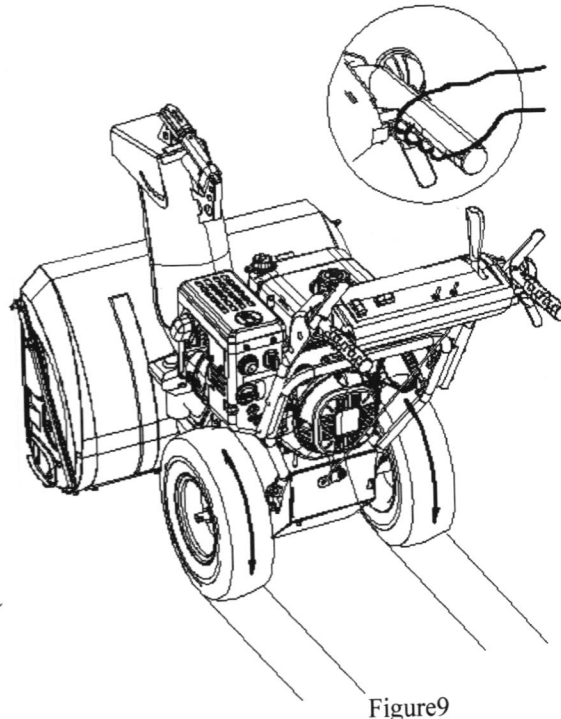


Figure 9

Clean-Out Tool



WARNING: Never use your hands to clear a clogged chute assembly. Shut off engine and remain behind handles until all moving parts have stopped before unlogging.

The chute clean-out tool is fastened to the top of the auger housing with a mounting clip. The tool is designed to clear a clogged chute assembly.

OPERATION YOUR SNOW THROWER

NOTE: This item (along with the electric starter's extension cord) is fastened with a cable tie to the rear of the auger housing at the factory. Cut the cable tie before operating the snow thrower.

Skid Shoes

Position the skid shoes based on surface conditions. Adjust upward for hard-packed snow. Adjust downward when operating on gravel or crushed rock surfaces.

Recoil Starter Handle

This handle is used to manually start the engine

Augers

When engaged, the augers rotate and draw snow into the auger housing

Chute Assembly

Snow drawn into the auger housing is discharged out the chute assembly

Gas Cap

Unthread the gas cap to add gasoline to the fuel tank

Oil Fill

Engine oil level can be checked and oil added through the oil fill!

Before Starting Engine

Do not start the engine until filled with oil. The engine can be seriously damaged without oil .

1. Place the machine on a level floor.
2. Loosen the dipstick and read the oil level. See fig 7
3. The oil level shall be between the marks "HIGH" and "LOW". See fig 7
4. If necessary fill with oil up to the FULL mark .See fig.11.
5. Use good quality oil marked A.P.I. service SF ,SG or SH.

Use SAE 5W30 oil . Use SAE OW30 oil for temperatures under - 18 °C

Do not use SAE 10W40.

Gasoline



WARNING: Use extreme care when handling gasoline is extremely flammable and the vapors are explosive. Never fuel the machine indoors or while the engine is hot or running. Extinguish cigarettes, cigars, pipes and other sources of ignition.

OPERATING YOUR SNOW THROWER

- Store gasoline in a clean, approved container and keep the cap in place on the container.
- Make sure that the container from which you pour the gasoline is clean and free from rust or other foreign particles.

NOTE: A plastic dust cap may be found inside the fuel fill opening.

Remove and discard, if present.

- always fill the fuel tank outdoors and use a funnel or spout to prevent spilling.
- Fill fuel tank with clean, fresh, unleaded gasoline.
- Never fill the fuel tank completely. Fill the tank to within 1/2" from the top to provide space for expansion of fuel.
- Make sure to wipe off any spilled fuel before starting the engine.

Starting The Engine

1. Attach spark plug wire to spark plug. Make certain the metal loop on the end of the spark plug wire (inside the rubber boot) is fastened securely over the metal tip on the spark plug.
2. Make certain both the auger control and drive control are in the disengaged (released) position.
3. Move throttle control up to FAST position. Insert ignition key into slot. Make sure it snaps into place.
Do not attempt to turn the key.

NOTE : The engine cannot start without the key is fully inserted into the ignition switch.

Recoil Starter

1. Rotate choke control to FULL choke position (cold engine start).

NOTE: If the engine is already warm, place choke control in the OFF position instead of FULL.

2. Push the primer two or three times for cold engine start, making sure to cover vent hole in the center of the primer when pushing.

NOTE: DO NOT use primer to restart a warm engine after a short shutdown.

NOTE: Additional priming maybe necessary if the temperature is below 15° Fahrenheit.

3. Grasp the recoil starter handle and slowly pull the rope out. At the point where it becomes slightly harder to lull the rope, slowly allow the rope to recoil.
4. Pull the starter handle with a firm, rapid stroke. Do not release the handle and allow it to snap back. Keep a firm hold on the starter handle and allow it to slowly recoil.
5. As the engine warms, slowly rotate the choke control to the OFF position. If the engine falters, quickly rotate the choke control back to the FULL position and then slowly into the OFF position again.

NOTE: Allow the engine to warm up for a few minutes after starting. The engine will not develop full power until reaches operating temperatures.

Stopping The Engine

Run engine for a few minutes before stopping to help fry off any moisture on the engine.

To help prevent possible starter freeze-up, proceed as follows:

Recoil Starter

1. With engine running, pull the starter rope with a rapid, continuous full arm stroke three or four

times. Pulling the starter rope will produce a loud clattering sound, which is not harmful to engine.

OPERATING YOUR SNOW THROWER

2. Move the throttle control to STOP position.
3. Remove the ignition key and store in a safe place.
4. Wipe all snow and moisture from the area around the engine as well as the area in and around the drive control several times

Chute Clean-Out Tool

The chute clean-out tool is conveniently fastened to the rear of the auger housing with a mounting clip. Should snow and ice become lodged in the chute assembly during operation, proceed as follows to safely clean the chute assembly and chute opening.

1. Release both the Auger Control and the Drive Control.
2. Stop the engine by removing the ignition key.
3. Remove the clean-out tool from the clip which secures it to the rear of the auger housing. .



WARNING: The muffler, engine and surrounding areas become hot and can cause a burn. DO not touch.

4. Use the shovel-shaped end of the clean-out tool to dislodge and scoop any snow and ice which has formed in and near the chute assembly.
5. Refasten the clean-out tool to the mounting clip on the rear of the auger housing, reinsert the ignition key and start the snow thrower's engine,
6. While standing in the operator's position (behind the snow thrower), engage the auger control for a few seconds to clear any remaining snow and ice from the chute assembly.

To Engage Drive

1. With the throttle control in the Fast (rabbit) position, move shift lever into one of the five forward (F) position or two reverse (R) positions. Select a speed appropriate for the snow conditions and a pace you're comfortable with.

NOTE: When selecting a Drive Speed, use the slower speeds until you are comfortable and familiar with the operation of the snow thrower.

2. Squeeze the auger control against the handle and the auger will turn. Release it and the augers will stop.
3. Squeeze the drive control against the handle and snow thrower will move. Release it and drive motion will stop.

IMPORTANT: NEVER reposition the shift lever (change speeds or direction of travel) without first releasing the drive control and bringing the snow thrower to a complete stop. Doing so will result in premature wear to the snow thrower's drive system.

MAINTENANCE

Lubrication



WARNING: Before lubricating, repairing, or inspecting, disengage all controls and stop engine. Wait until all

moving parts have come to a complete stop.

Gear Shaft

The gear (hex) shaft should be lubricated at least once a season or after every 25 hours of operation/

1. Remove the lower frame cover by removing the two screws which secure it.
2. Apply a light coating of an all-weather multi-purpose grease to the hex shaft. See Figure10

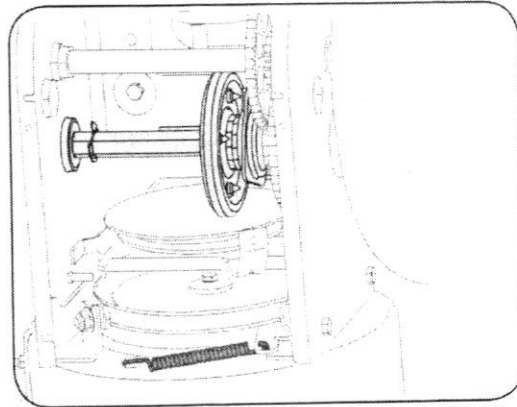


Figure10

IMPORTANT: Avoid oil spillage on rubber friction wheel and aluminum drive plate.

Wheels

At least once a season, remove both wheels. Clean and coat the axles with a multipurpose automotive grease before reinstalling wheels.

Chute Directional Control

Once a season, the joystick should be lubricated with petroleum jelly, Linseed oil, mineral oil, paraffin wax or 3-in-1 oil.

Auger Shaft

At least once a season, remove the shear pins on auger shaft. Spray lubricant inside shaft, around the spacers. Also lubricate the flange bearings found at either end of the shaft. See Figure 11

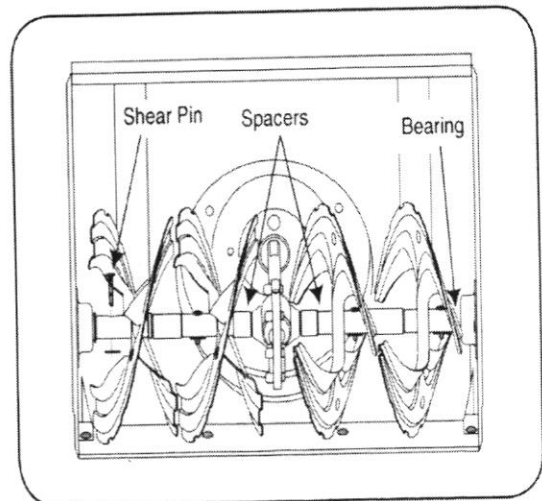


Figure11

Gear Case

The auger gear case has been filled with grease and sealed at the factory. If disassembled from any reason, lubricate with two ounces of new grease

NOTE: Do not over fill the gear case. Damage to the seals could result. Be sure the vent plug is free of grease in order to relieve pressure

MAINTENANCE

Shave Plate and Skid Shoes

The shave plate and skid shoes on the bottom of the snow thrower are subject to wear. They should be checked periodically and replaced when necessary.

To remove skid shoes:

1. Remove the four carriage bolts and hex flange nuts which secure them to the snow thrower.
2. Reassemble new skid shoes with the four carriage bolts (two on each side) and hex flange nuts. see figure 12

To remove shave plate:

1. Remove the carriage bolts and hex nuts which attach it to the snow thrower housing.
2. Reassemble new shave plate, making sure heads of carriage bolts are to the inside of housing. Tighten securely.

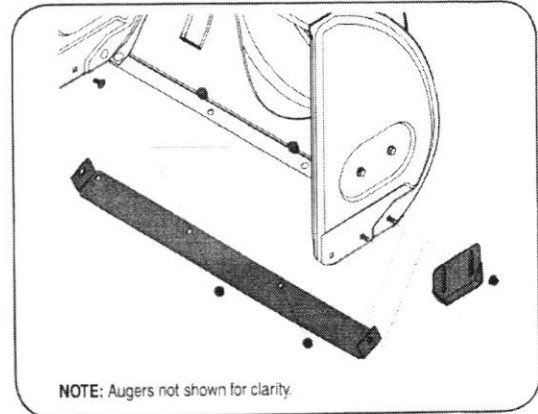
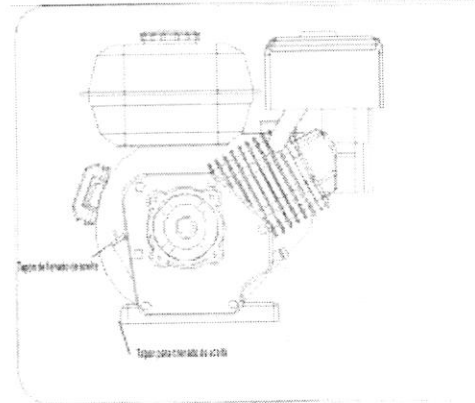


Figure 12

Checking Engine Oil

1. Be sure engine is upright and level
2. Unscrew oil fill cap from oil filler tube and wipe dipstick clean. See Figure 23
3. Screw oil cap back into oil filler tube. Tighten securely.
4. Unscrew and remove oil fill cap from oil filler tube.
Note oil level. if oil reading on dipstick is below "LOW" mark, slowly add oil to reach "HIGH" level, see Figure 24
5. Screw oil fill cap back into oil filler tube, Tighten securely.
6. Wipe away any spilled oil.



CHANGING Engine Oil

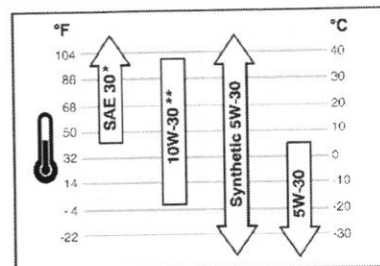
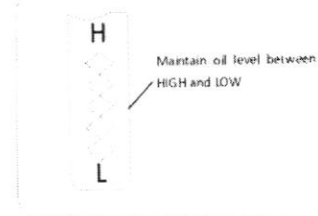
To avoid engine damage, it is important to:

- Check oil level before each use and every five operating hours.
- Change oil after first two operating hours and every 25 operating hours thereafter
- Engine should still be warm but not hot from recent use.

1. Locate the oil drain plug. See figure 25
2. Be sure the gas cap is on and is tighten securely.
3. Clean area around oil drain plug, see Figure 25
4. Place approved recyclable oil container under oil drain plug.
5. Remove oil drain plug and drain oil.

Note: Used oil must be disposed of at a proper collection center.

6. Install oil drain plug and tighten securely.
7. Refill the engine with recommended oil, see Recommended Oil Usage chart, the engine's oil capacity is 26 ounces.
8. Wipe away any spilled oil.



MAINTENANCE

Checking Spark Plug

Check spark plug yearly or every 100 operating hours

1. Clean area around spark plug.
2. Remove and inspect spark plug
3. Replace spark plug if porcelain is cracked or if electrodes are pitted, burned or fouled with deposits
4. Check electrode gap with a feeler gauge and set gap to .030(0.76mm)if necessary. see Figure 26
5. Reinstall spark plug and tighten securely

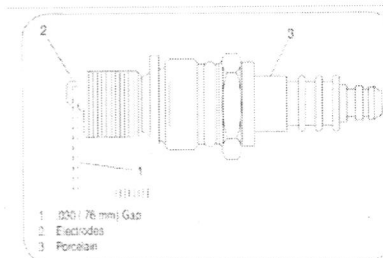


Figure26

NOTE:A resistor spark plug must be used for replacement.Contact a Sears Parts and Repair Center for a replacement spark plug.

Carburetor

If you suspect your carburetor needs adjusted, see a Sears Parts and Repair Center, engine performance should not be affected at altitudes up to 7000 feet (2134 meters). For operation at higher elevations, contact a Sears Parts and Repair Center.

Engine Speed



WARNING: Avoid serious injury or death, DO NOT modify engine in any way, Tampering with the governor setting can cause the engine and equipment to operate at unsafe speeds, NEVER tamper with factory setting of engine governor, Running the engine faster than the speed set at the factory is dangerous.

SERVICE AND ADJUSTMENT

After long time using, or when the belts are adjusted or replaced, the control wires must also adjusted see figure 27

- 1: Lift the snow thrower forward and rest in on the auger housing.
- 2: Push the wire through the spring so that the threaded part is exposed.
1. Hold the threaded part and adjust the nut or until the correct setting is obtained.
- 4: Pull the wire through the spring again, Hook the wire into the upper part of the clutch lever same adjustment for both sides.



Figure27

Chute Assembly Adjustment

The distance snow is thrown can be adjusted by changing the angle of the chute assembly. to do so:

1. Stop the engine by removing the ignition key and loosen the plastic wing knob found on the left side of the chute assembly.
2. Pivot the chute upward or downward before retightening the wing knob, See Figure 28.

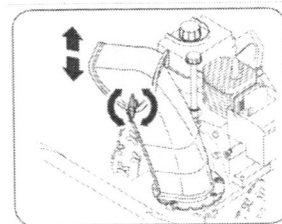


Figure28

Skid Shoe Adjustment

The space between skid shoes and the ground can be adjusted See Figure 29

- For close snow removal on a smooth surface, raise skid shoes higher on the auger housing
- Use a middle or lower position when the area to be cleared is uneven, such as a gravel driveway

To adjust the skid shoes:

- 1: Loosen the four hex nuts (Two on each said)and carriage bolts. Move skid shoes to desired position
- 2: Make certain the entire bottom surface of skid shoe is against the ground to avoid uneven wear on the skid shoes
- 3: Retighten nuts and bolts securely.

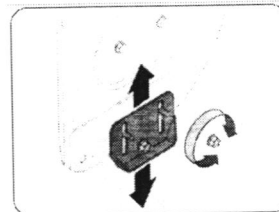


Figure29

Chute Bracket Adjustment

If the spiral at the bottom of the chute directional control is not fully engagina with the chute assembly,the chute bracket can be adjusted. To do so:

1. Loosen the two nuts which secure the chute brackets and reposition is slightly, see Figure
2. Retightening the nuts See figure 30

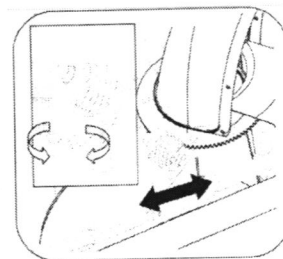


Figure30

Tire Pressure

Before operating, Check the pressure and reduce pressure to between 15 psi and 20 psi

If the tire pressure is not equal in both tires, the unit may pull to one side or the other.

OFF-SEASON STORAGE

Preparing Engine



WARNING: Never store snow thrower with fuel in tank indoors or in poorly ventilated areas, where fuel fumes may reach an open flame, spark or pilot light as on a furnace, water heater, clothes dryer or gas appliance.

NOTE: It is important to prevent gum deposits from forming in essential fuel system parts of the engine such as the carburetor, fuel filter, fuel hose or tank during storage.

CAUTION: Alcohol blended fuels(called gasohol or using ethanol or methanol)can attract moisture which leads to separation and formation acids during storage. Acidic gas can damage the fuel system of an engine while in storage
To avoid engine problems, the fuel system should be emptied before storage for 30 days or longer, Follow these instructions to prepare your snow thrower for storage:



WARNING: Drain fuel into an approved container outdoors, away from any open flame. Be certain engine is cool. Do not smoke. Fuel left in engine during warm weather deteriorates and will cause serious starting problems.

1. Remove all gasoline from the carburetor and the fuel tank to prevent gum deposits from forming on these parts and harming the engine.
2. Run the engine until the fuel tank is empty and it stops due to lack of fuel.
3. Drain carburetor by pressing upward on bowl drain, located below the carburetor cover,



WARNING: Do not drain carburetor if using fuel stabilizer. Never use engine or carburetor cleaning products in the fuel tank or permanent damage may occur.

NOTE: Fuel stabilizer (such as STA-BIL) is an acceptable alternative in minimizing the formation of fuel gum deposits during storage, Add stabilizer to gasoline in fuel tank or storage container, Always follow mix ratio found on stabilizer container, Run engine at least 10 minutes after adding stabilizer to allow it to reach the carburetor, Do not drain carburetor if using fuel stabilizer.

4. Remove the spark plug and pour one ounce of engine oil through the spark hole into the cylinder. Cover spark plug hole with a rag and crank the engine several times to distribute the oil. Replace spark plug.

Preparing Snow Thrower

1. When storing the snow thrower in an unventilated or metal storage shed, care should be taken to rustproof the equipment, using a light oil or silicone, coat the equipment, especially any chains, springs, bearings and cables.
2. Remove all dirt from exterior of engine and equipment.
3. Follow lubrication recommendations in the Maintenance section of this manual.
4. Store equipment in a clean dry area.